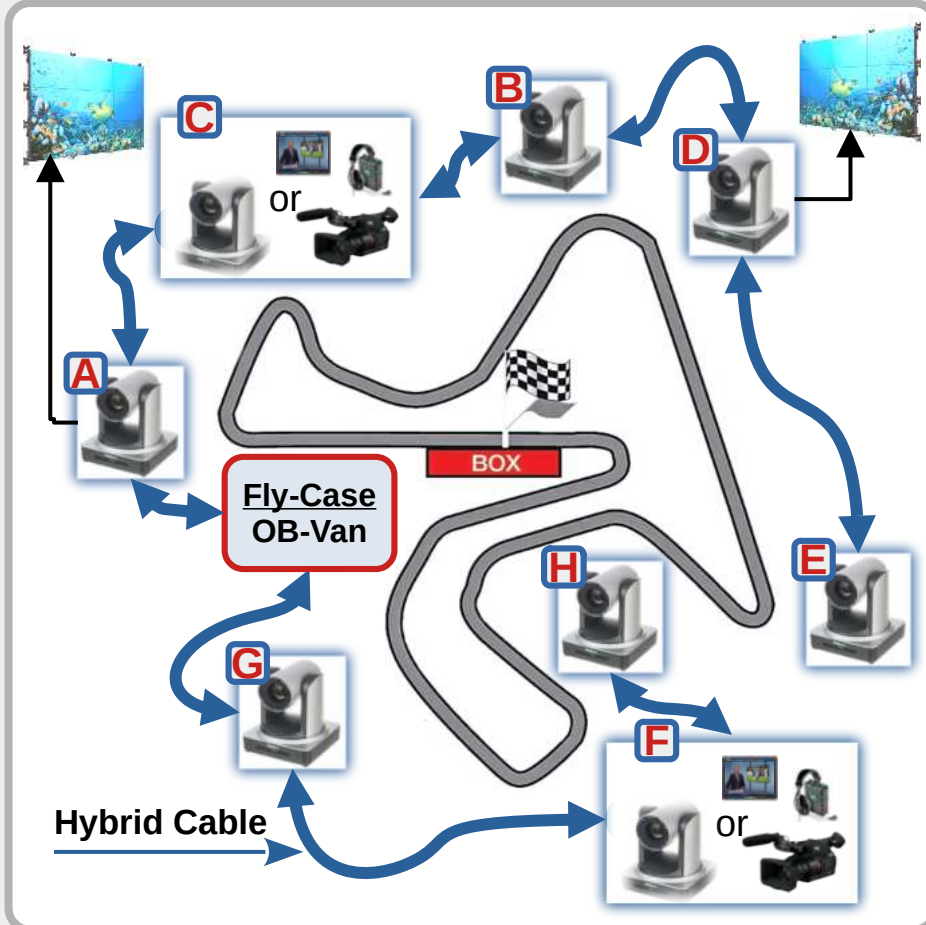


# Cambox NEXT

## Daisy Chain Hybrid Transport System

**Video SDI 3G BiDi (or FlexyBUS) plus FlexyBUS**

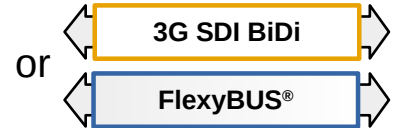


### Configurable Transport Lines

**Bus F** (Eth. 1GB Default)



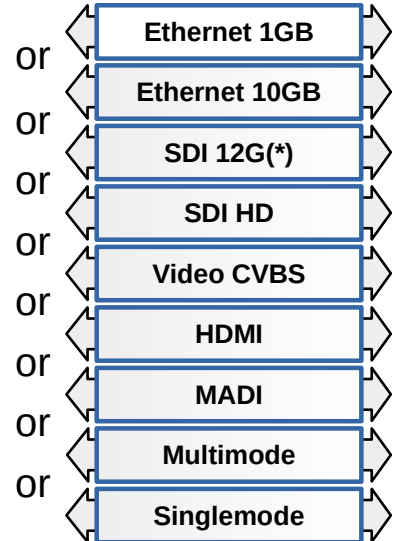
**Bus S** (SDI 3G Default)



**POWER**

DC Out 12V 50W

### FlexyBUS®



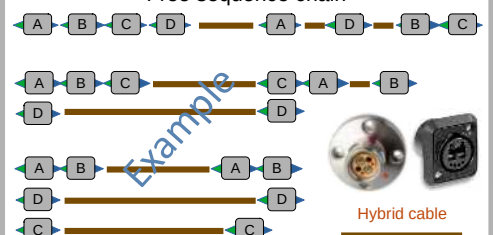
### Cambox NEXT-LT *Fiber Pair Looped Version* *Powercon 90-260 Vac with DC 12V-50W Output*



*Bidirectional SDI 3G with FlexyBUS and Fast FlexyBUS  
with DC 12V 50W Output to energize devices (e.g.: PTZ)*

Cambox NEXT allow multiple signals to be transported over Looped Hybrid cables (E.G.: SMPTE)

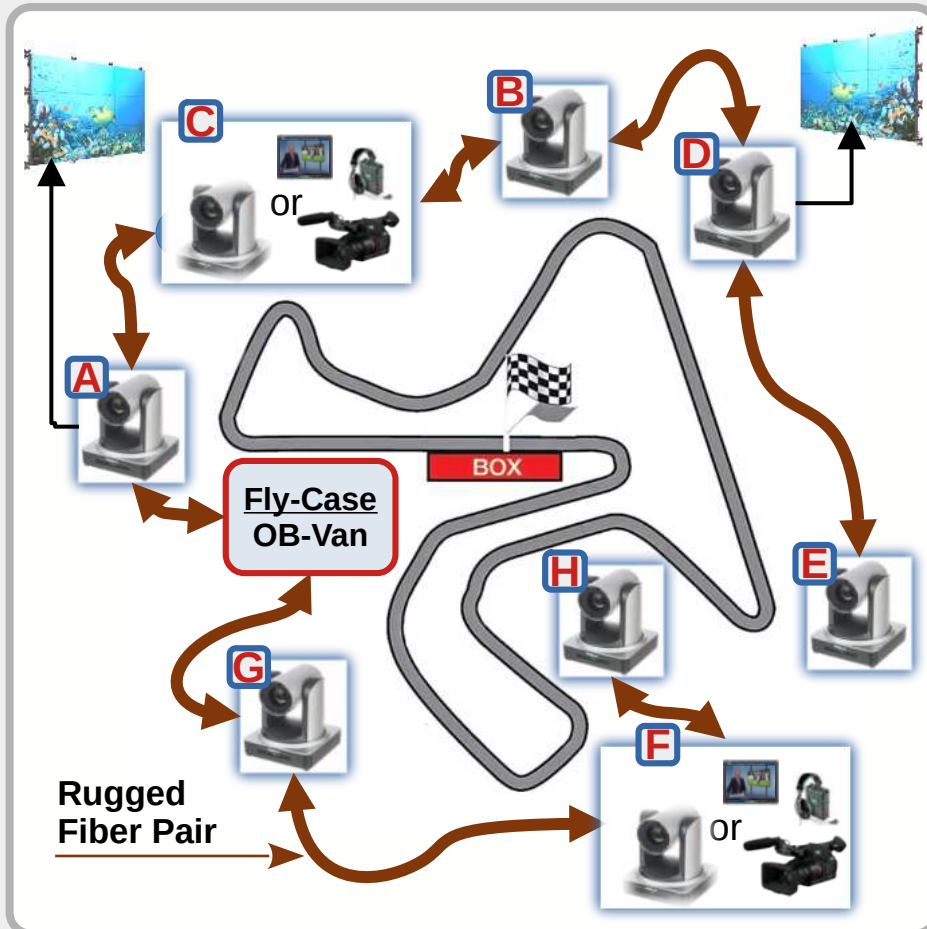
The IN-OUT Boxes are Paired, Signals form Box 'A' to Box 'A' (BiDi)  
Up to 8 boxes chain-able on single line.  
Free sequence chain



# Cambox NEXT-LT

## Daisy Chain Fiber Pair Transport System

Video SDI 3G BiDi (or FlexyBUS) plus FlexyBUS

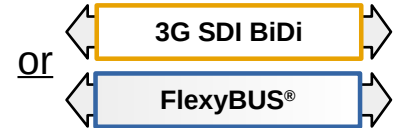


### Configurable Transport Lines

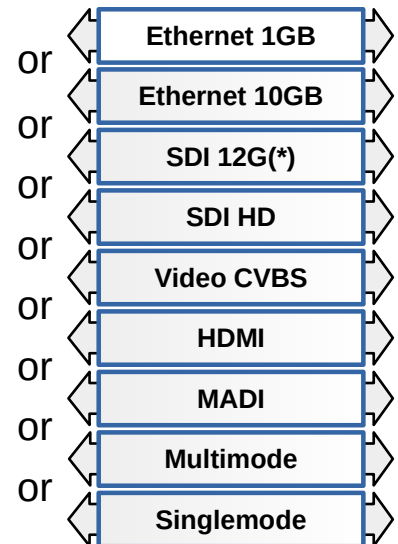
**Bus F** (Eth. 1GB Default)



**Bus V** (SDI 3G Default)



### FlexyBUS®



**Cambox NEXT-LT** *Fiber Pair Looped Version*  
Powercon 90-260 Vac with DC 12V-50W Output



LC Pair (Default)

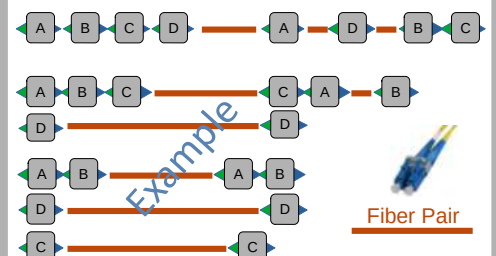
Neutrik Lite (opt)

Senko (opt)



Cambox Next-LT allow multiple signals to be transported over Looped LC-LC Fiber Pair rugged cables

The IN-OUT Boxes are Paired:  
signals form Box 'A' to Box 'A' (bidirectional)  
Up to 8 boxes chainable on single line  
Free sequence chain



Dedicated Rack Mount and customised Rugged cables a Reels available

# NEXT Concepts

## Daisy Chain Hybrid Transport System

Just to give you an idea of flexibility and power...

