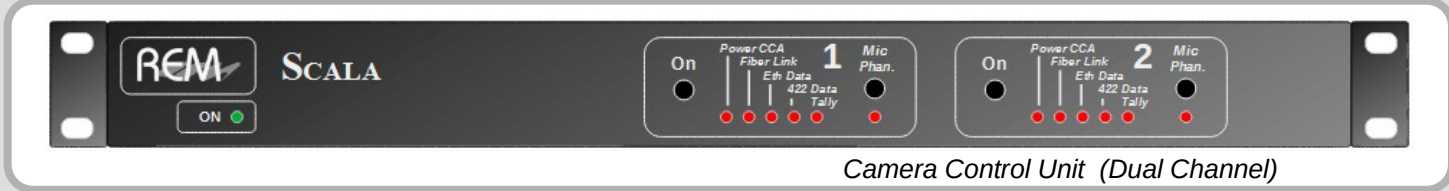


# Cambox SCALA

## PTZ HYBRID / Fiber INTERFACE

### SCALA – The Hybrid Interface for TOP QUALITY 12G PTZ



### All Signals and Ancillaries you need

**SCALA** is the Flagship of Cambox **PoP** series  
Designed to be used with TOP Gamma PTZ Cameras with additional useful multiple signals management

**SMPTE HYBRID**  
SMPTE 304M or Neutrik DUO

**Return 3G Video Feed**  
Allow Video Confidence or near Monitor connection.

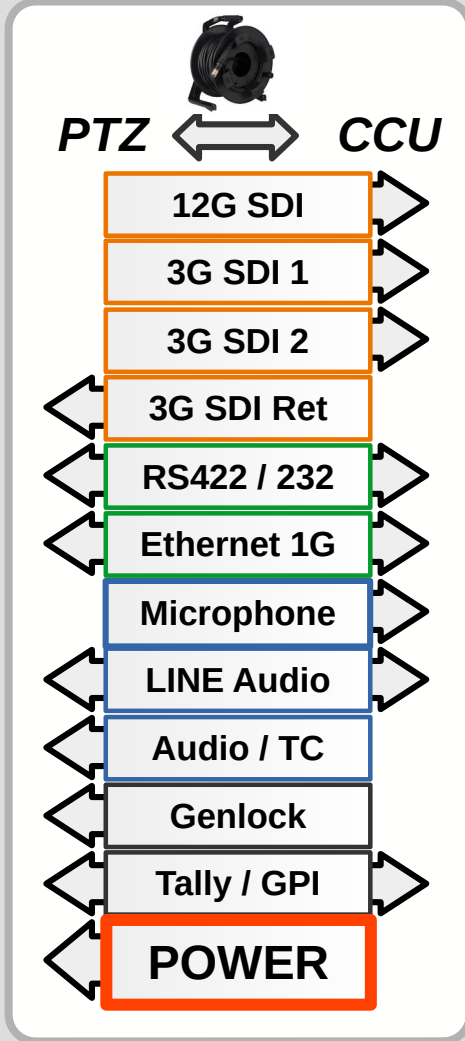
**LINE Balanced Audio Input**  
and Return Audio or Timecode

**MICROPHONE** input with Phantom  
To capture High Quality ambient sound

**Ethernet and Serial Data**  
Chose your data connection  
.....or control TWO cameras

**Tally and GPIs**  
to solve last minute CTRLs

**Mechanical Adapters**  
Various adapter available



**Cambox SCALA is Modular !!!**  
**Select the version matching your needs**

# Cambox SCALA Lite

**PTZ HYBRID / Fiber INTERFACE**

**SCALA Lite R / B    Single or Dual Channel**

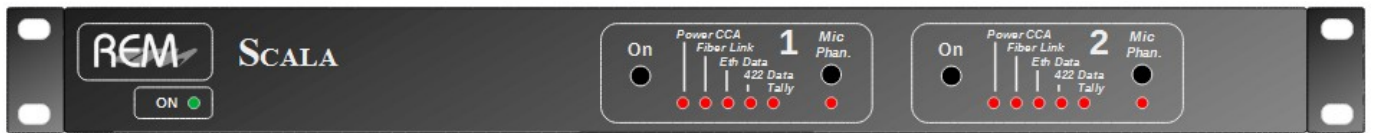


Panasonic  
Canon  
Sony

1 of 2 CCA show  
Lite-R Version



2 Channels - connectors side with SMPTE 304



Camera Control Unit (Dual Channel)

## Select Your Version



SCALA Lite-B

### SCALA Lite B

Return Video for Monitor or Ledwall  
3G or 12G(\*) version



SCALA under AW-UE150

### SCALA Lite R

When sincronization is a must or return audio is useful. 3G only

Both version are available with SMPTE, Lemo, Neutrik DUO Hybrid connectors

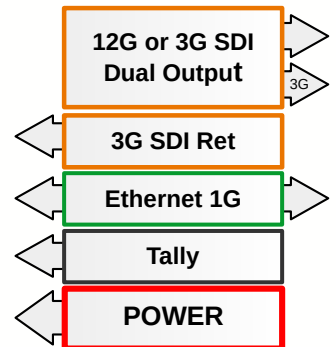
Plate adapters for many Brand/Model PTZ Cameras

### SCALA Lite T (coming soon)

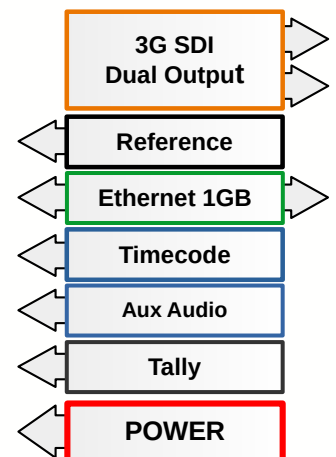
Special R version for inside shorter distance, multiple wallboxes system. with competitive 2F2C IP67 Cables



### Scala Lite Bidirectional



### Scala Lite Reference



## CCU Status LEDs

CCA Powered [CCA connected, handshaked, Power Enabled, Power to camera]  
Fiber Link Active [Fiber connection established on both fiber path]  
Eth Data [Ethernet active (flashing)]  
422 Data [Data present on RS422 bus (flashing)]  
Tally [Tally line activated]

## CCU Controls

CCA Power Enables [Power saving]  
Microphone Phantom Enables [Channel 1 / Channel 2]

## Cambox SCALA

## CCA Status LED

CCA Powered

## Camera Adapter Inputs Signals

Video Signals: 1 - SDI 3G, 6G, 12G [BNC]  
2 - SDI SD, HD, 3G [BNC]  
1 - Reference [BNC]  
Audio Signals: 1 - Balanced Analog (Line Level) [DB9]  
1 - Balanced Microphone Input [DB9]  
Data Signals: 1 - Serial Data (RS422) [RJ45]  
1 - Ethernet 1GB [RJ45]  
2 - GPI In [RJ45] <sup>(1)</sup>

## Camera Adapter Outputs Signals

Video Signals: 1 - SDI SD, HD, 3G  
Audio Signals: 1 - Unbalanced Analog Audio [DB9]  
Data Signals: 1 - Serial Data (RS422) [RJ45]  
1 - Ethernet 1GB [RJ45]  
1 - Tally Out (open collector) [RJ45]  
Power : 1 - 12V Out [M8] <sup>(\*)</sup>



All signals PTZ (powered 12V)  
Microphone (with Phantom)  
Light PTZ (powered)\*  
Light Audio device (powered)\*  
Return Video Outs (SD,HD,3G)  
Video Out 12G Active Loop

## Control Unit Inputs Signals per each Camera Adapter Channel

Video Signals: 1 - SDI SD, HD, 3G [BNC]  
1 - Reference (BB, Composite) [BNC]  
Audio Signals: 2 - Unbalanced Analog (Line Level) [DB9]  
Data Signals: 1 - Serial Data (RS422) [RJ45]  
1 - Ethernet 1GB [RJ45]  
1 - Tally In [RJ45]  
2 - GPI Out [RJ45]

## Control Unit Outputs Signals per each Camera Adapter Channel

Video Signals: 1 - SDI 3G, 6G, 12G [BNC]  
2 - SDI SD, HD, 3G [BNC]  
Audio Signals: 1 - Balanced Line Output [DB25]  
1 - Balanced Microphone Line Output [DB25]  
Data Signals: 1 - Serial Data (RS422) [RJ45]  
1 - Ethernet 1GB [RJ45]  
2 - GPI Out (open collector) [RJ45]  
Power : 1 - Main 90-240 Vac [VDE with Fuse]

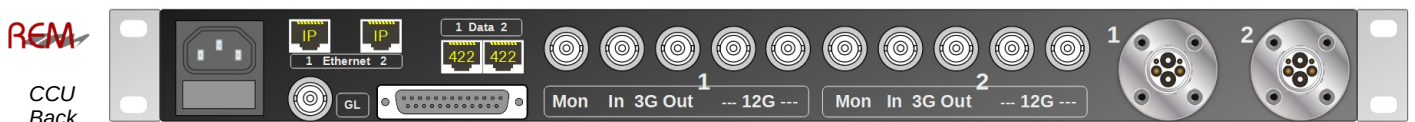
## SCALA Models

SCALA may be ordered in various versions to match your real needs:

3G Only, Fiber Loop  
IP or RS Data only  
an so on..

Scala Main Options:  
Cable Set CCA  
Cable Set CCU  
Bottom Tripode Adapter  
PTZ Adapter Plates

Contact us or your nearest Dealer for detailed information



**Hybrid Connection:** SMPTE LEMO 3K (or Neutrik OpticalCon DUO)  
**Fiber Pair Connection:** LC/LC or Neutrik Duo Light (or Senko) [No Power Transport to CCA]

**Power Consumption:** 15 W per channel without Camera load  
**MAX Camera Load:** 12 Volts - 60W  
**CCA Mechanical:** Dimension: W x H x D (182, 40, 219 mm) Weight (1,9 Kg)  
Fixing holes for camera plate adapters on Top / Bottom (Panasonic, Canon, Sony)  
**CCU Mechanical:** Dimension: 1RU Depth 300mm Weight (1Ch = 3,1 Kg) (2 Ch =3,9 Kg)