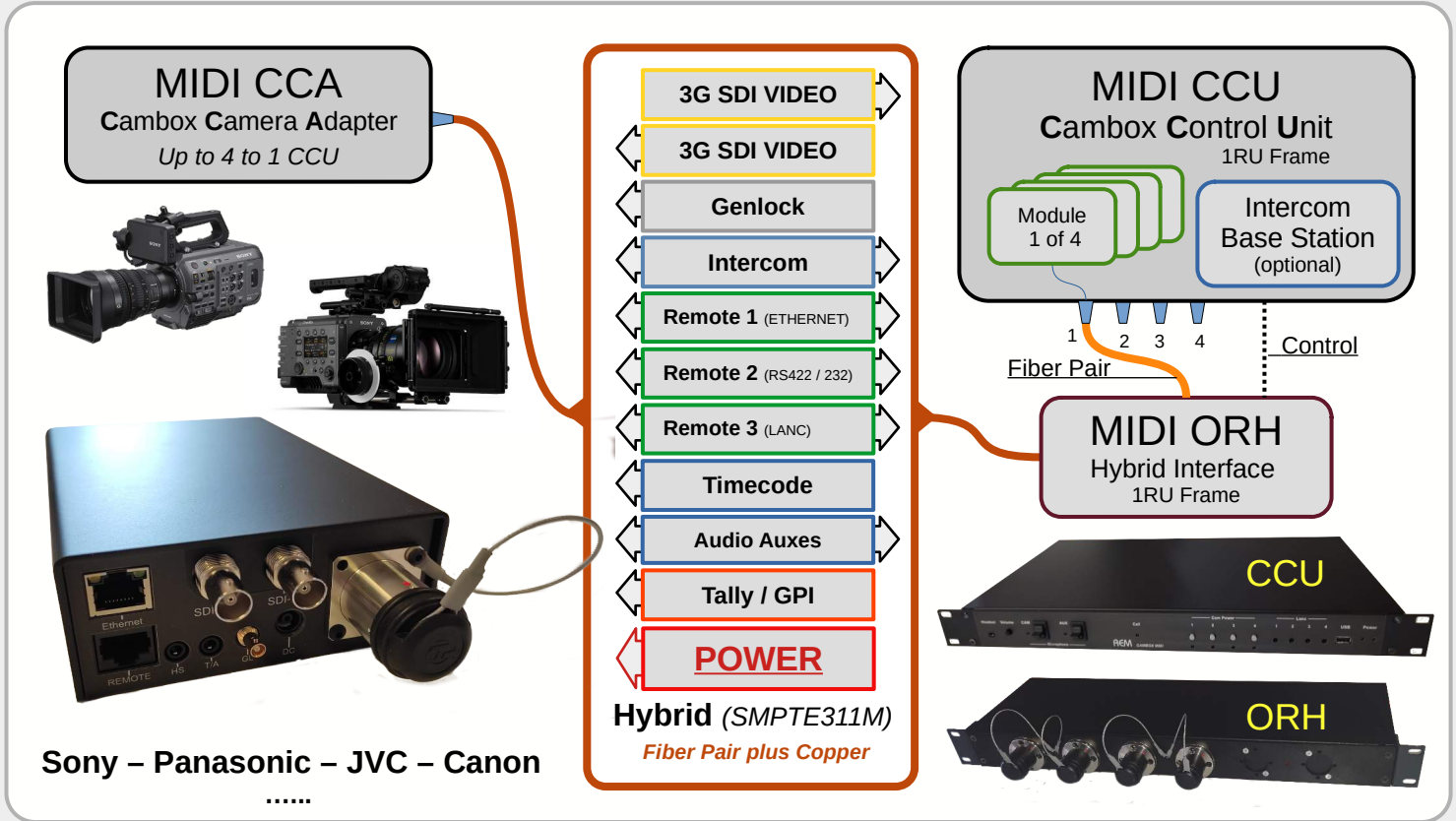


Cambox MIDI

Multi-brand FOUR Cameras Hybrid System

LIVE PRODUCTION HYBRID LINK for CAMERAs CONCEPT



CCA Controls side

- LED Power
- Headset (available on bottom also)
- LANC
- LED Microphone ON
- Microphone On/Off
- Headset Volume decrease
- Headset Volume increase
- Call Button
- Tally indicator (available as contact also)



V-Lock
or
G-Mount
or
Tripod
Adapter
option

CCA / Channel Options

Battery Adapter

to directly supply Energy to camera and/or to fix the CCA



Cable Set

Camera Model dedicated Cables Serial, Videos, Ref, TC + Headset



1GB Ethernet

Optional 1GB Ethernet transport



12G SDI

Bidirectional 12G SDI



CCA Connections side

- Ethernet 1GB
- SDI IN (3G or 12G opt)
- SDI OUT (3G or 12G opt)
- Serial Remote / Tally Out
- HS → Headset
- T/A → Timecode / Audio Aux
- GL → Reference Out (microBNC)
- DC → 12VDC Out^(*)



HYBRID SMPTE
Available with:
Neutrik DUO Lemo

CCU / System Options

Local Redundant Power Supply (brick)



Integrated Intercom Base Station

2 GROUPS with enables + background (Cameras / Local Cooperators / PGM)

Neutrik DUO connector

Neutrik Hybrid connector Instead of default Lemo



Transport Suitcase

Dedicated IP67 for 4 CCA



Specifications

CCA Cambox Camera Adaptor

Power when Hybrid unused: DC 12Vdc <8W (without Camera)
Weight: 850 g Size 180*110*40 mm (without V-mount)
Max Camera Load: 80W

CCU Cambox Control Unit

Power: Vac 90~240V <20W
Weight: 3kg Size: 19" 1U standard rack mount
Work Temp -15°C to 45°C Humidity 0 ~ 90% (non-cond.)

Signal formats: SMPTE 424M, 292M, 259M (270Mbit/s - 1.48Gbit/s - 3Gbit/s)

Notes: No Power supplied to cable until CCA connected and recognised
Overload/Overtemperature protection

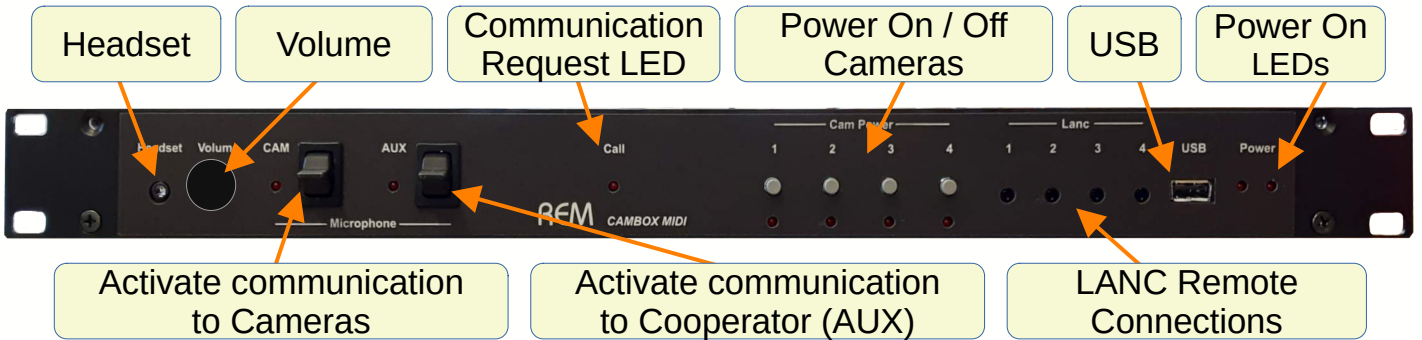


Cambox MIDI

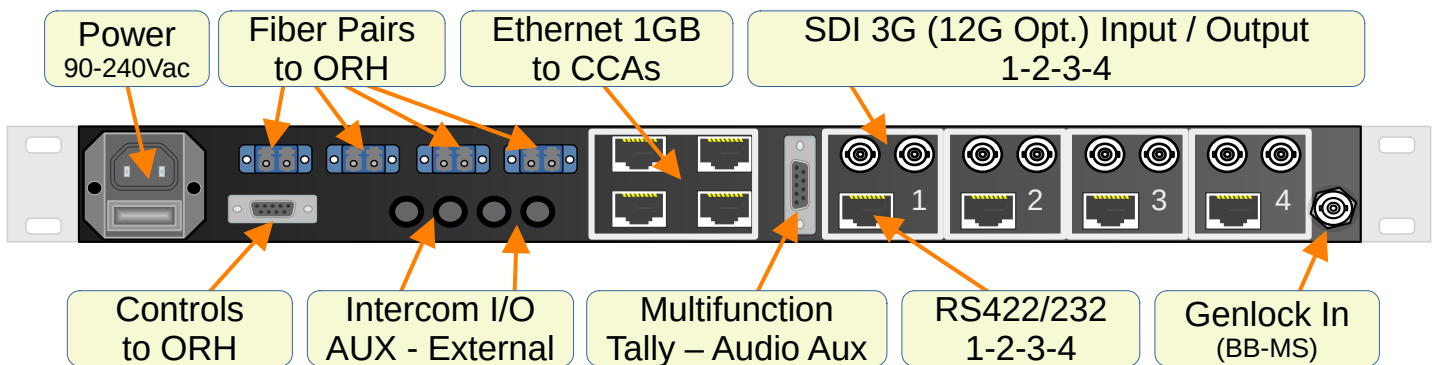
Multi-brand FOUR Cameras Hybrid System

LIVE PRODUCTION HYBRID LINK Quick Manual

IBS – Integrated Intercom Base Station



CCU – Control Unit Rear Connection



ORH Ctrl Pinout

- 1) Enable 1
- 2) Enable 2
- 3) Enable 3
- 4) Enable 4
- 5) Ground
- 6) Status 1
- 7) Status 2
- 8) Status 3
- 9) Status 3

Pin to Pin to ORH

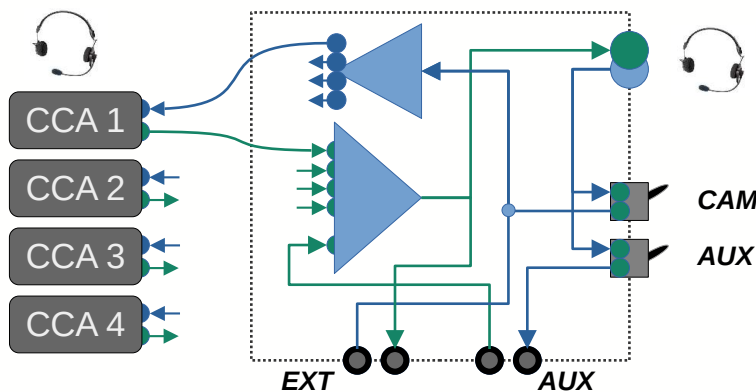
Serial Port Pinout

- 1) TX -
- 2) TX -
- 3) TX -
- 4) TX -
- 5) Tx RS232
- 6) Rx RS232
- 7) +12V Out (ccu)
- 8) Ground

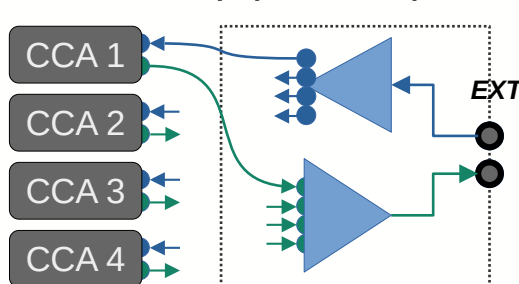


RS422 with 12V Out to energize RCP

Intercomm Concept (with IBS)



Intercomm Concept (without IBS)



Multifunction Pinout

- 1) Tally 1
- 2) Tally 2
- 3) Tally 3
- 4) Tally 4
- 5) Audio 2 Out (CC1)
- 6) Audio 2 Out (CC2)
- 7) Audio 2 Out (CC3)
- 8) Audio 2 Out (CC4)
- 9) Call Out / GPI Out
- 10) Ground
- 11) Timecode In
- 12) Ground
- 13) Ground
- 14) Ground
- 15) Ground

Headset Pinout

- 1) Microphone
- 2) Ground
- 3) Headphone R
- 4) Headphone L



Timecode / Audio

- 1) Audio 2 Input
- 2) Ground
- 3) Timecode Out
- 4) Tally Out

SAFETY

Do not open CCU,ORH or CCA

We suggest to disable Power to Camera with ENABLE Buttons before hard removing Hybrid Cables to avoid any Spikes in SMPTE connectors